

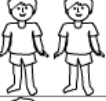

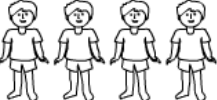


Pictograph





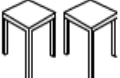
Q1

Answer :

Day	Number of absentees
Monday	
Tuesday	
Wednesday	
Thursday	
Friday	

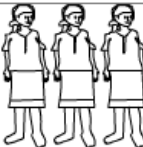



Q2

Answer :

Room Number	Number of stools
I	
II	
III	
IV	
V	

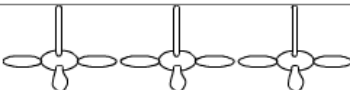
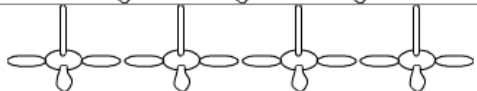

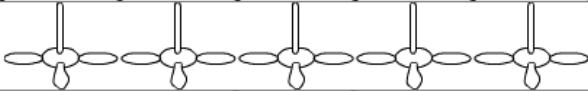
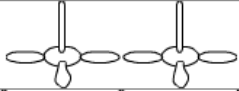
Q3

Answer :

Subject	Number of students passed
English	
Mathematics	
Hindi	
Drawing	

Q4

Answer :

Month	Number of fans sold
March	
April	
May	
June	
July	
August	